

گولڈن ڈائنامکس (پرائیویٹ) لمیٹڈ



NOWA

■ Deep-Well Injector Pumps

D Series



POWERED by
HONDA

JLEM
JIN,ONG
ELECTRICAL MACHINERY

SAER
ELETROPOMPE

TÜV **SYD**
AUSTRIA
No Certification
No of Certificate 228

70
YEARS
OF
EXCELLENCE

Member of:
ppemma
Pakistan Pumping & Electro-Mechanics Association

Research Support by:
NUST
NATIONAL UNIVERSITY
OF SCIENCE & TECHNOLOGY

RACHNA
College of Engineering
and Technology,
Gujranwala

GOLDEN DYNAMICS (PVT) LTD.

📍 G. T. Road, Gujranwala - PAKISTAN 📞 +92 55 384 2756, 384 3756, 429 6355 ✉ email@goldendynamics.com 🌐 www.goldendynamics.com



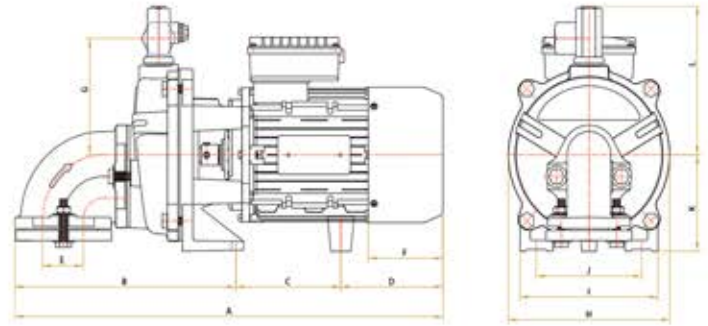


GOLDEN DYNAMICS
(PVT) LTD.



NOWA

■ Deep-Well Injector Pumps
D Series



Function:

This series of pumps are closed coupled self-priming pumps are particularly suitable for pumping water from deep wells. The deep-well self-priming pumps have the capability of lifting water to maximum of 42 m. The pump is placed on the surface with an injector immersed into the well. The delivery of water generated by the impeller is conveyed to the outlet, the delivery is sucked, by means of a piping through the 'venturi system' connected to the suction chamber, which gives the necessary depression to the suction of the fluid where the injector is immersed in. The fluid sucked by the injector gets mixed in the venturi diffuser with the recycling fluid, coming from the injector body, consequently the fluid pressure increases and it is sucked by the pump through a piping.

Application:

Water supply to remote dwelling i.e. farm houses, general water supply, pressurized water using pressure vessels, irrigation and industrial applications, garden watering and general water transfer applications.

Pump Construction:

Pump Body and Pump Support in Cast Iron, Stainless Steel Impeller, Diffuser in Thermoplastic Resin, Mechanical Seal (Carbon + Ceramic). Rotor Shaft in Steel fitted with world's finest pre-greased Ball Bearings, coupled with Fan Cooled Motor, the Capacitor is permanently in circuit (in single-phase motors).

Motor:

Totally Enclosed Fan Cooled (IC411), IP-54, Ins. Class: F, S.F.: 1.1, 220 V / 400 V, 50 Hz, 2900 RPM.

Pump Performance Data:

Capacity:	2.2 m ³ /h (max.)
Head:	90 m (max.)
Suction:	42 m (max.)
Liquid Temperature:	-15°C ~ +60°C
Ambient Temperature:	+40°C (max.)
Working Pressure:	9 bar (max.)

Liquid should be clean and free from solid abrasive substances and non-aggressive.

Installation:

Upon installation, always prime the pump body first before start up. The pump must be installed with motor shaft in horizontal position.

Distinctive features of NOWA Pressure Regulator:

- Introduced 1st time in Pakistan
- Compact & sleek design
- Best suitable for NOWA Deep-Well Injector Pumps
- Corrosion-free construction
- Fits 1" standard discharge
- No need to adjust pressure screw
- Can use for pressure switch connection kit & air regulator

Performance Chart:

Model	Motor HP kW	V	A	RPM	Suction (m)	Head (m)	Discharge (m ³ /h)	US gpm	lpm
D1-71	0.5 0.37	220	4	2900	6 ~ 16	36 ~ 12	0.6 ~ 2.1	2.6 ~ 9.3	10 ~ 35
D1	0.5 0.37	220	4	2900	6 ~ 18	40 ~ 14	0.6 ~ 2.2	2.6 ~ 9.8	10 ~ 37
D2	1 0.75	220	6	2900	6 ~ 25	55 ~ 14	0.6 ~ 2.2	2.6 ~ 9.8	10 ~ 37
D3	2 1.5	220	12	2900	6 ~ 34	75 ~ 14	0.6 ~ 2.2	2.6 ~ 9.8	10 ~ 37
D4	2.5 1.8	220	14	2900	6 ~ 43	90 ~ 14	0.6 ~ 2.2	2.6 ~ 9.8	10 ~ 37

Dimension Table:

Model	DNa	DNm	A	B	C	D	E	F	G	H	I	J	K	L	Weight (kg)
D1-71			495	272	88	135		65	135					172	20.5
D1	1.25"	0.75"	528								170				22.8
D2			556	300			50	92		200		130	112		27.8
D3	1.25"	1"	624	335	195				152					212	37.2
D4			659	370		94		100			177				42